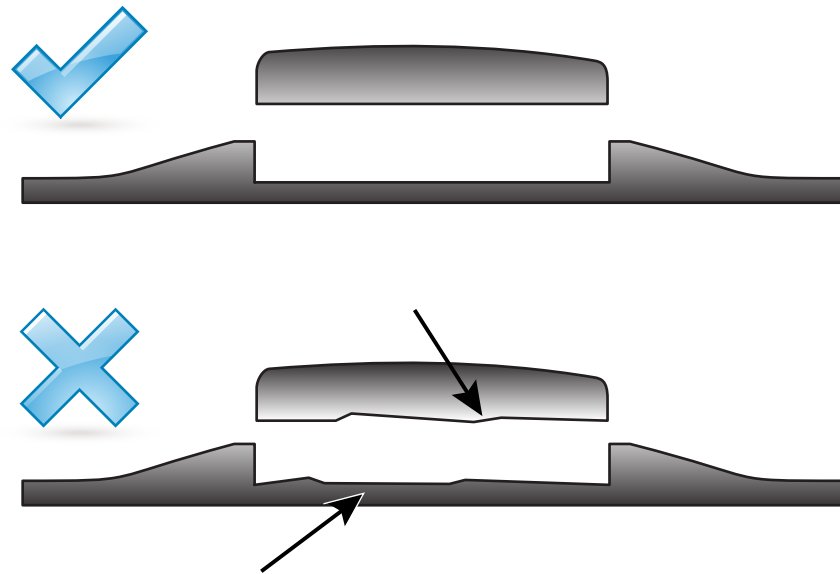


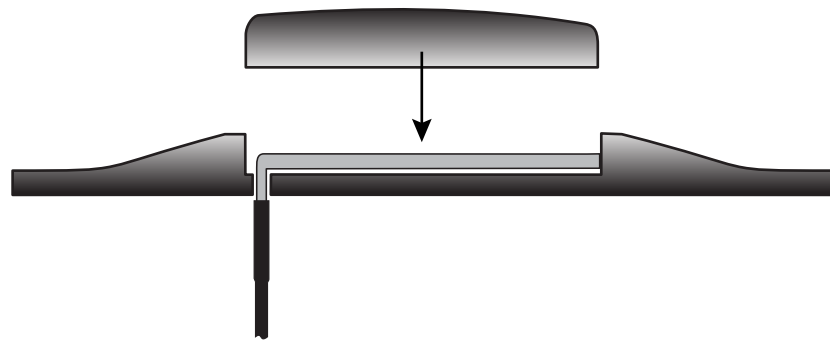
Step 1

Make sure saddle and slot surfaces are level.



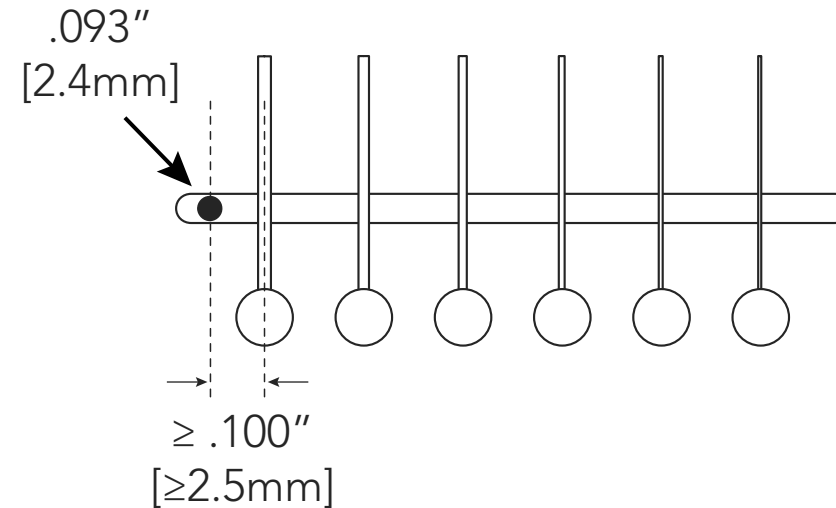
Step 4a - Sliding Fit

Insert saddle into slot. Saddle should fit into place securely but should come out easily with light fingertip pressure.



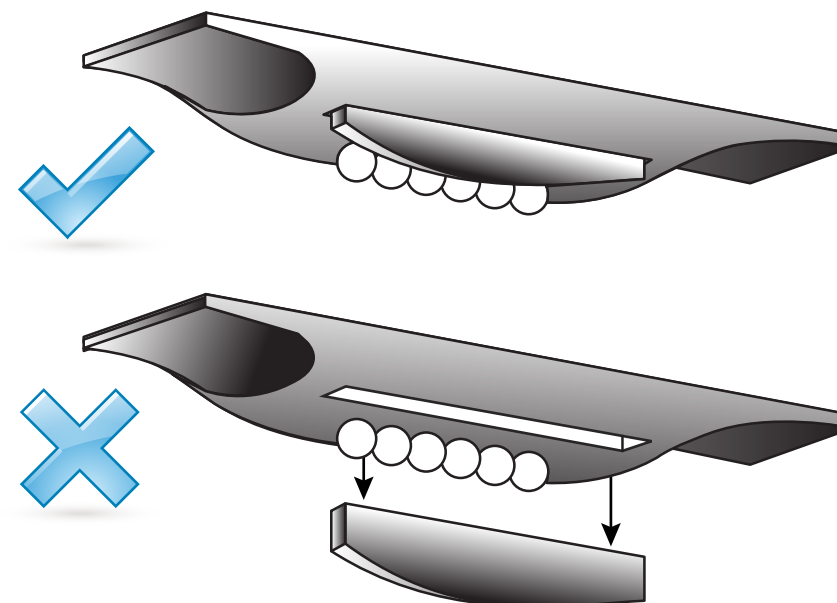
Step 2

Drill .093" (2.4mm) hole for pickup wire at either end of slot.



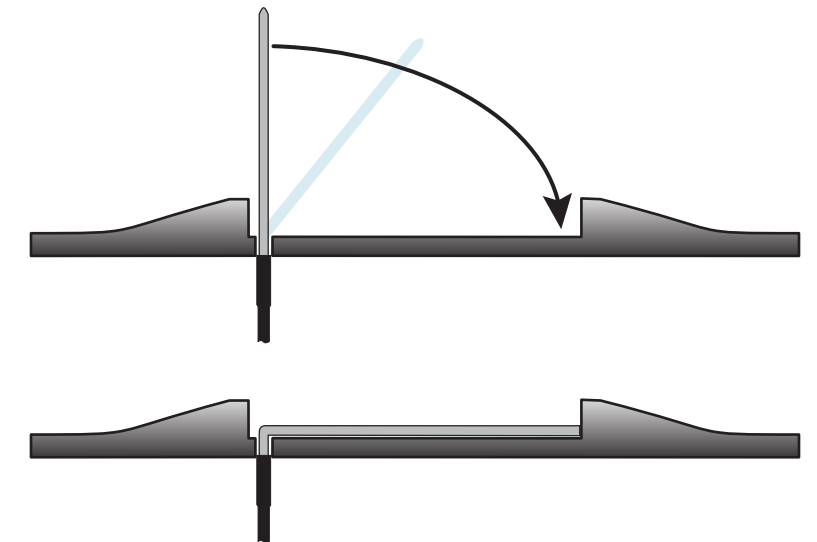
Step 4b - Sliding Fit

Saddle should not fall out when unstrung instrument is upside down.



Step 3

Insert pickup into slot so that when laid flat, the opposite end of pickup lies against slot edge.



Step 5 - 50/50 Rule

When installed properly, 50% of the saddle should be in the slot and 50% should be over the slot.

